

## SIGHT FLOW INDICATOR - WINDOW TYPE

MODEL:TAN-SFI-W

### INTRODUCTION

TANSA make Window type Sight Glasses are used to view the flow, color or presence or leaks of water, liquids and slurries. The sight flow indicator is used in industries for the requirement of various applications to inspect the process fluid and visual indication of the flow and contents in pipes.

### PRINCIPLE

The Double Window Type Sight Glass (Sight Flow Indicator) in Cast Construction & Fabricated design to meet an industrial requirement of various applications to inspect the process fluid. It contains two toughened glasses mounted opposite to each other. It is available with various thickness and diameter of glass to suit various applications respects to fluid pressure and temperature. In case of glass breakage it is very easy to replace glass without dismantling the whole Sight Glass assembly from process line.



### Operating Conditions:

Maximum Operating Pressure : 52 Bar

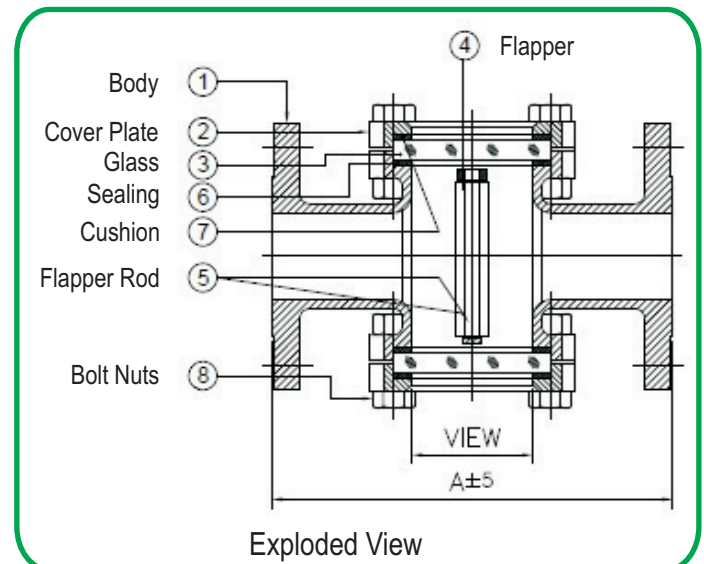
Maximum Operating Temperature : 150°C with Sodalime Glass & 280°C with Borosilicate Glass

### Standard Dimensions :

Size (mm)	15	20	25	40	50	65	80	100	150	200-300
A ± 5 mm	130	150	160	200	230	290	310	350	480	On
BØ mm	25	45	45	63	80	100	100	125	175	Request

### Material Of Construction :

Body	: Carbon Steel / AISI 304 SS / AISI 316 SS etc.
Cover Plate	: Carbon Steel / AISI 304 SS / AISI 316 SS etc.
Glass	: Tempered Borosilicate
Flapper	: Carbon Steel / AISI 304 SS / AISI 316 SS etc.
Flapper Rod	: Carbon Steel / AISI 304 SS / AISI 316 SS etc.
Sealing	: CAF / PTFE
Cushion	: CAF / PTFE
Bolts & Nuts	: Carbon Steel / AISI 304 SS / AISI 316 SS etc.
Finish	: Ultramarine Blue RAL (to suit 250°C) / Electro-polished



Unit No. 35/36/41, Om Anand Industrial Estate,  
M. S. Road, Raghunath Nagar, Thane(W) - 400604  
Tele : 022 - 2583 23 23, 022 - 25823708  
Mobile : +91 9833504585 / 9022827363  
Email : tansaindia@gmail.com / sales@tansa.co.in

[www.tansa.co.in](http://www.tansa.co.in)  
[www.rotameters.co.in](http://www.rotameters.co.in)  
[www.orificeplate.in](http://www.orificeplate.in)  
[www.levelindicators.co.in](http://www.levelindicators.co.in)

## SIGHT FLOW INDICATOR - WINDOW TYPE

MODEL:TAN-SFI-W

### ORDERING INFORMATION

#### BASIC MODEL

SFI-W

#### MATERIAL OF CONSTRUCTION

MS = Mild Steel  
6S = AISI 316 SS

CS = Carbon Steel  
XX = Non Standard

4S = AISI 304 SS

#### PROCESS CONNECTION

Flanged Connections(As per ANSI B 16.5)

F501 = 1/2" 150# RF  
F503 = 1/2" 300# RF  
F506 = 1/2" 600# RF  
F751 = 3/4" 150# RF  
F753 = 3/4" 300# RF  
F756 = 3/4" 600# RF  
XXX = NON STANDARD

F101 = 1" 150# RF  
F103 = 1" 300# RF  
F106 = 1" 600# RF  
F151 = 1 1/2" 150# RF  
F153 = 1 1/2" 300# RF  
F156 = 1 1/2" 600# RF

F201 = 2" 150# RF  
F203 = 2" 300# RF  
F206 = 2" 600# RF  
F301 = 3" 150# RF  
F303 = 3" 300# RF  
F306 = 3" 600# RF

#### COVER PLATE

MS = Mild Steel  
6S = AISI 316 SS

CS = Carbon Steel  
XX = Non Standard

4S = AISI 304 SS

#### FLAPPER & FLAPPER ROD

MS = Mild Steel  
6S = AISI 316 SS

CS = Carbon Steel  
XX = Non Standard

4S = AISI 304 SS

#### SEALING / CUSHION

CA = CAF

PT = PTFE

XX = Non Standard

#### NUTS & BOLTS

MS = Mild Steel  
6S = AISI 316 SS

CS = Carbon Steel  
XX = Non Standard

4S = AISI 304 SS

#### SIZE

015 = 15 mm  
040 = 40 mm  
080 = 80 mm  
XXX = Non Standard

020 = 20 mm  
050 = 50 mm  
100 = 100 mm

025 = 25 mm  
065 = 65 mm  
150 = 150 mm

Note :1) Modifications may take place and materials specified may be replaced by others without prior notice.

2) Consult factory for ratings of non-standard lengths and plastic units.



Unit No. 35/36/41, Om Anand Industrial Estate,  
M. S. Road, Raghunath Nagar, Thane(W) - 400601.  
Tele : 022 - 2583 23 23, 022 - 25823708  
Mobile : +91 9833504585 / 9022827363  
Email : tansaindia@gmail.com / sales@tansa.co.in

[www.tansa.co.in](http://www.tansa.co.in)  
[www.rotameters.co.in](http://www.rotameters.co.in)  
[www.orificeplate.in](http://www.orificeplate.in)  
[www.levelindicators.co.in](http://www.levelindicators.co.in)